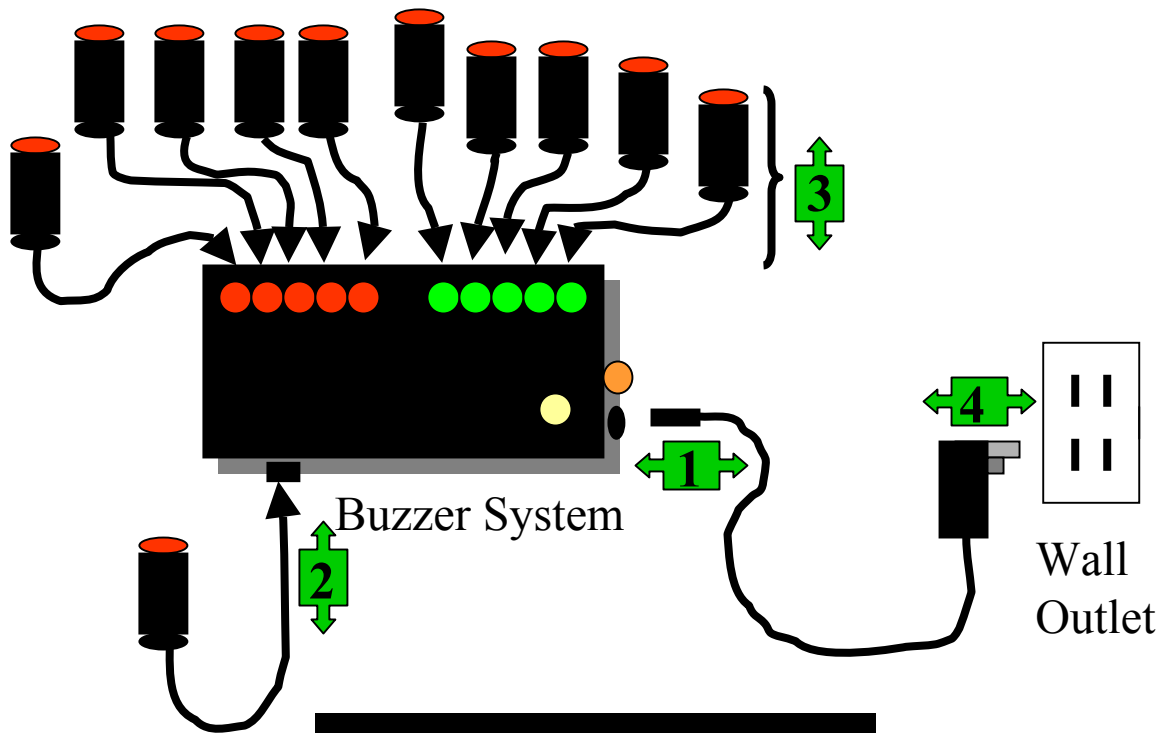


# Easy Steps to Connect Your Buzzer System



**Green Boxes Indicate Connection Points!**

## Basic Buzzer System Connections

### Steps 1 to 4

1. Connect AC adapter to buzzer
2. Connect reset controller (gray cord)
3. Connect controllers (black cords)
4. Connect AC adapter to wall outlet or use 9-volt battery
5. Test Buzzer System

**Note:** Our buzzer systems can operate using a 9-volt battery for long periods of time.